

" " 51

- :
- : 136-174 , 400-470
- 128
- CTCSS/DCS
- ANI ID
-
-
-
- ,
- : 4/5
-
-
-
- VOX
-
- CTCSS/DSC
- 12,5/25
-
- /
- / VOX

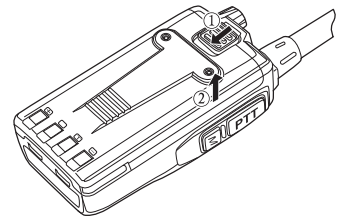
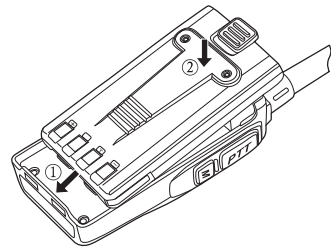


:

(.1)

(.2)

(.2)



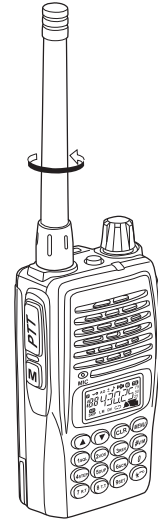
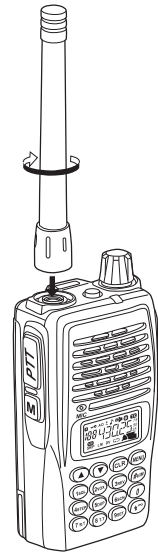
(.1)

(.2)

:

(.4)

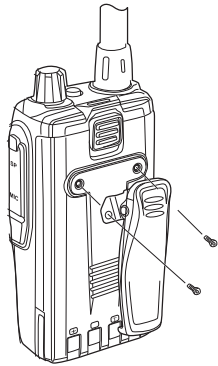
3



(.3)

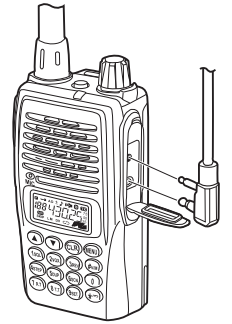
(.4)

(.5)



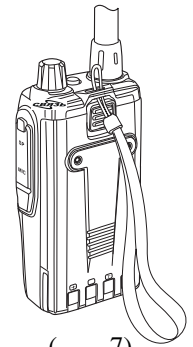
(.5)

(.6)

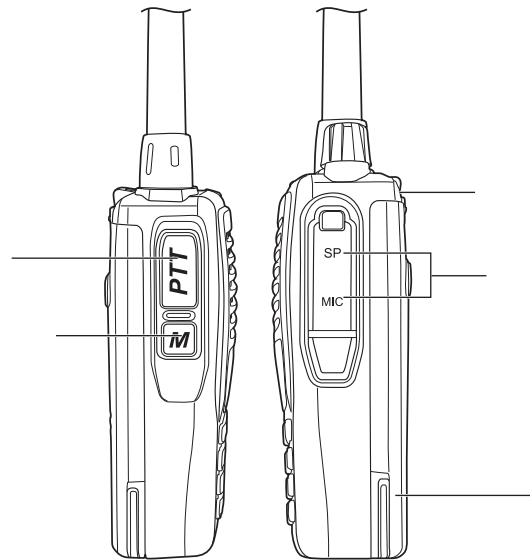
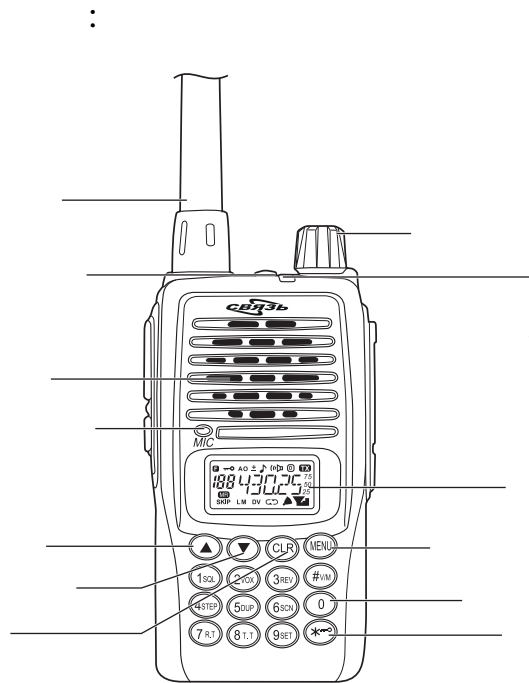


(.6)

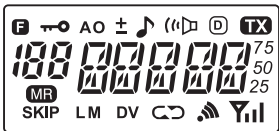
(.7)



(.7)



:



F



+

-



(60)



DCS -



CTCSS -

TX

SKIP

DV



VOX-



AO

FM

L

0-9, *, [MENU] -

/ .

([MENU]+1)

[MENU] [1 SOL] (0-9). 59L 3

[▲]/[▼]- [MENU]

[MENU] , .

VOX ([MENU]+2) VOX [MENU] [2 VOX] CH 28

/

([MENU]+3)

[MENU] [3 REV] 400.10

IV

([MENU]+4)

(5, 10, 12.5, 20, 25, 30, 50)

[▲]/[▼]- [MENU] [4 STEP] 5

[MENU] - 10

([MENU]+5) 156.10 400.10

[5 DUP] [MENU] .

"+" -

"-" -

([MENU]+6) 156.10 400.10

[MENU] [6 SCAN] -

[MENU]

[▲]/[▼]- [MENU]

VFO: CH 10

SKIP

: (20 199).

CTCSS/DCS ([MENU]+7)

[MENU] [7 RT] .

[*∞] :

OFF → CTCSS → DCSN → OFF

OFF OFF

1670

1 20237

DCS [#VM]

DCS N → DCS I

[▲] / [▼] -

[MENU] -

:

CTCSS/DCS ([MENU]+8)

[MENU] [8]

[*]

OFF → CTCSS → DCSN → OFF

DCS [#VM]

DCS N → DCS I

[▲] / [▼] -

[MENU] -

:

([MENU]+9)

[MENU] [9 SET]

OFF

0231

OFF

670

0237

OFF

0231

KEEP

([MENU]+0)

CH-FR [MENU] [0]

[▲] / [▼] - (A J 10)

:

/ ([MENU]+#)

[#VM] [MENU]

136.00

.L -

([MENU]+*)

[MENU] [*]

[▲] / [▼]

[MENU]

: VHF (136.000-174.000) /

(245.000-246.000)

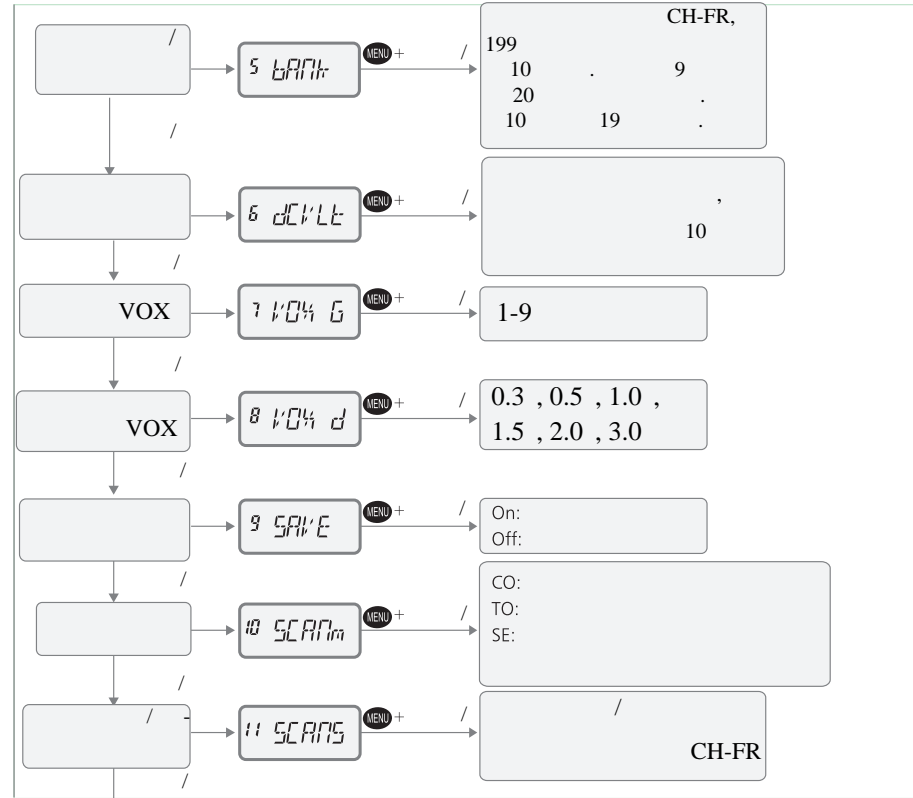
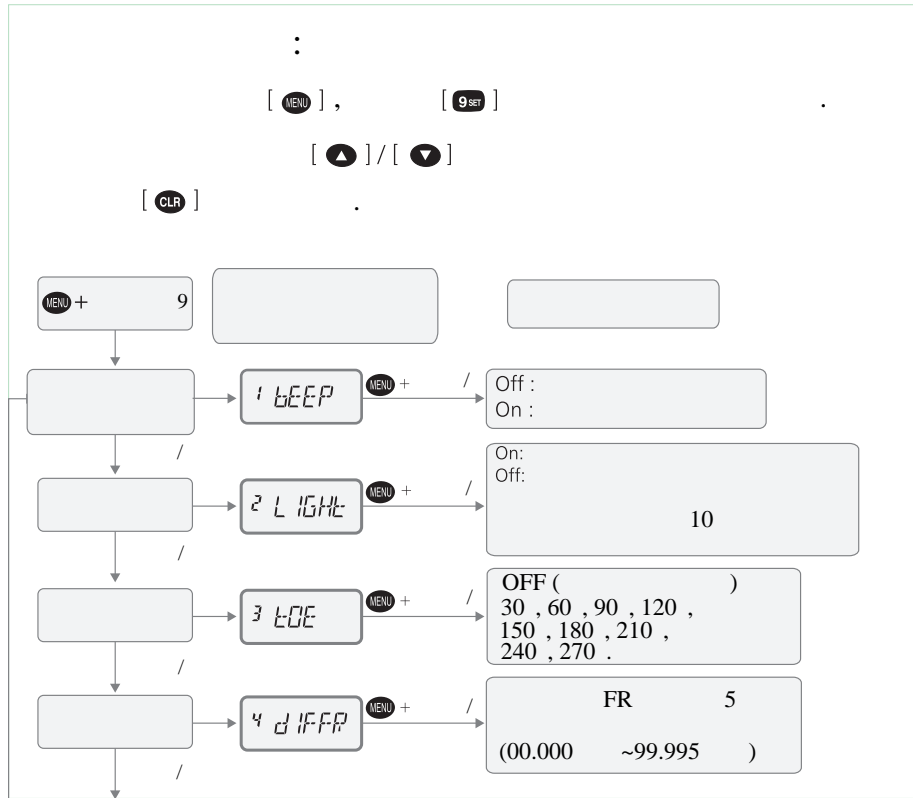
UHF (400.000-470.000)

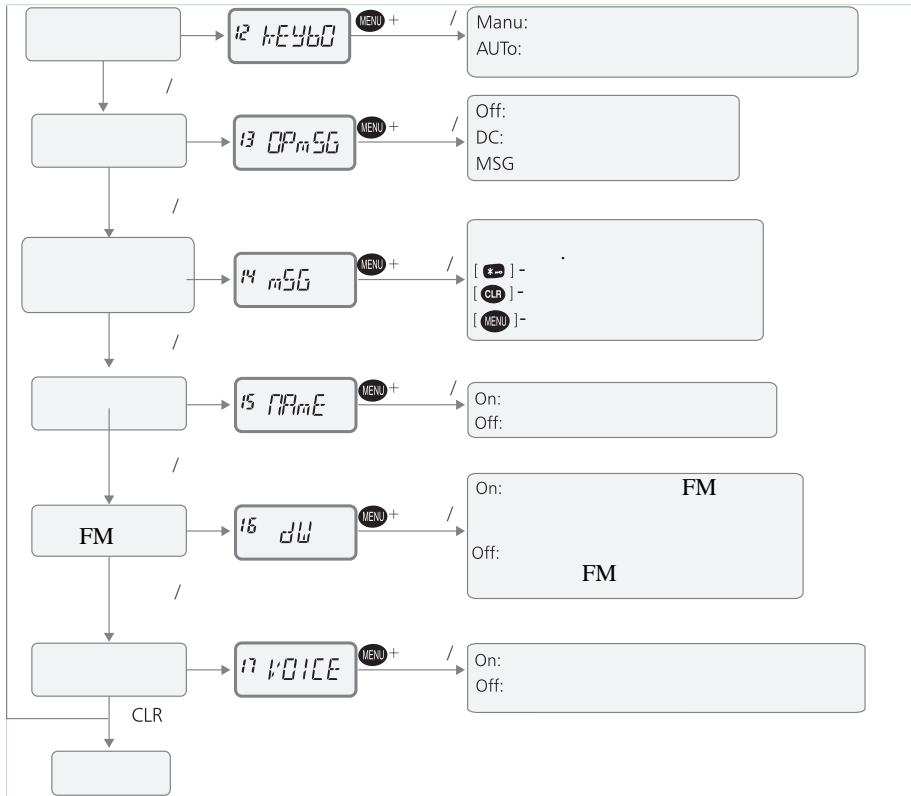
26400.13

400.13

450.00

450.00





Please cut along with this line



- 1.
- 2.
- 3.
- 4.
- 5.
- 6.
- 7.

